



PLEASE READ AND SAVE THESE INSTRUCTIONS

PET DRYER

OWNER'S MANUAL

MODEL: B-24 ,B-25

(115V/60Hz)

XPOWER MANUFACTURE, INC.
220 Clary Avenue
San Gabriel, CA 91776, USA
Tel: 626-285-3301 Fax: 626-285-3302
www.xpower.ws



Nozzles included

TABLE OF CONTENTS

Introduction	1
Operation	2
Specifications	2
Important Safety Instructions	3
Grounding Instructions	4
Parts List	5-6
Maintenance	7
Warranty / Service	8
Warranty Registration Form	9

INTRODUCTION

XPOWER B-24/B-25 are ETL/C-ETL certified professional level pet dryers.

The XPOWER B-24 Heated Force Dryer gives you the power of heat to dry those pets even faster! The variable speed control along with dual heat settings gives you complete control over the amount of air and temperature you need to dry any dog, small or large with short or long hair.

XPOWER Professional Double Motor Pet Dryer B-25 provides more power to dry pets quickly while saving your time. Like all other XPOWER dryers, the B-24,B-25 are extremely lightweight and up to 40% quieter than other dryers in the market. Its rugged ABS housing makes it super durable and the filter system keeps debris out of the motor for maximum efficiency. The B-24 is compatible with our wall or stand mount kits letting you put your machine wherever it is most convenient and secure.

Special Features:

- Powerful and Energy-Efficient
- Super Lightweight and Compact
- Remarkably QUIET Motor
- 2 Heat Settings For B-24
- 4HP Double motor For B-25
- 3 Washable Filter Sets
- 8' x 1.7" Flexible Heat Protected Nylon (PU) Hose
- Thermally Protected
- Variable Speed Control Switch
- Durable & Rugged ABS Housing
- 1 Year Limited Warranty
- Wall and Stand Mount Optional For B-24
- 3 Nozzle Attachments (included)

Heat Settings



OPERATION

1. Place the dryer on a flat surface. Plug the electrical cord into a 3-prong GFCI outlet.
2. To use as a dryer, connect the hose to the front hose connector and attach the desired nozzle.
Turn on switch to desired speed.
3. For B-24, to use heating element, choose desired heat setting (I or II) or leave on off setting.
4. To reduce the risk of injury, close supervision is necessary when the unit is used near children.
Do not allow children to play with or around the unit.

SPECIFICATIONS

Model	B-24	B-25
Volt / Cycle	115 V / 60 Hz	115 V / 60 Hz
Horse Power	3 HP	4 HP
Amp	12 A	12 A
Heat Settings	Dual	N.A.
Max Airflow	150 CFM	160 CFM
Speeds Control	Variable	Variable
Overheating Protection	Dual Thermal	Dual Thermal
Unit Weight	8.8 lbs	12.3 lbs
Unit Size	14 x 6.3 x 9.2 inch	17x6.3x9.3 inch
Cord (Length / Dia)	10 ft / 16 AWG	10 ft / 16 AWG
Hose (Length / Dia / Material)	8 ft / 1.7 inch / PU	8 ft / 1.7 inch / PU
Housing Material	ABS	ABS

SAFETY INSTRUCTIONS

WARNING: IMPORTANT SAFETY PRECAUTIONS!

When using electrical appliances, especially when children or animals are present, basic safety precautions should always be followed to reduce the risk of fire, electric shock, and personal injury, including, but not limited to the following:

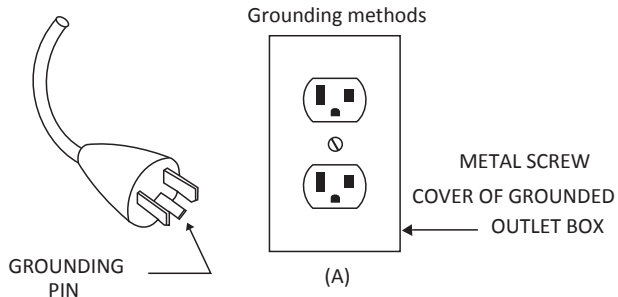
- Do not leave the dryer and animal unattended while the product is in use.
- Unplug dryer when not in use.
- Do not use extension cords with the product.
- Do not unplug unit by pulling on cord.
- Do not expose dryer to rain or water.
- Unplug unit before attempting any maintenance or service.
- Do not let air-intake get clogged.
- Do not direct dryer air towards eyes or ears of people or pets.
- Never use dryer with a damaged cord/plug or when unit has been dropped, damaged, or exposed to rain/water. Please call our Technical Department for service or repair.
- Do not use any other nozzles not intended for use with the dryer.
- Do not operate without filter in place. Keep filter clean, as a dirty filter limits air intake and may damage the motor or cause overheating.
- Plug only into a properly grounded receptacle. Always confirm that the amperage rating of the electrical outlet complies with the Dryer rating.
- Do not use product for anything other than its intended purpose.
- Do not attempt to perform any service or maintenance not outlined in the instruction manual.

SAVE THESE INSTRUCTIONS

HOUSEHOLD and COMMERCIAL USE

GROUNDING INSTRUCTIONS

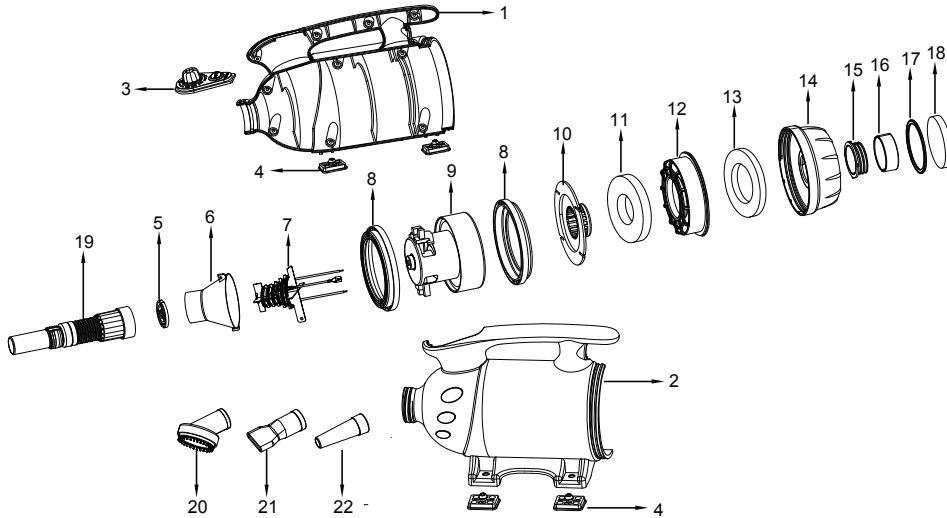
This appliance must be grounded. In the event of malfunction or breakdown, grounding provides a path of least resistance for electric current to reduce the risk of electric shock. This appliance is equipped with a cord having an equipment-grounding conductor and a grounding plug. The plug must be plugged into an appropriate outlet that is properly installed and grounded in accordance with all local codes and ordinances.



This appliance is for use on a nominal 115V circuit, and has a grounding plug that looks like the plug illustrated in sketch A. Make sure that the appliance is connected to an outlet having the same configuration as the plug. No adaptor should be used with this appliance.

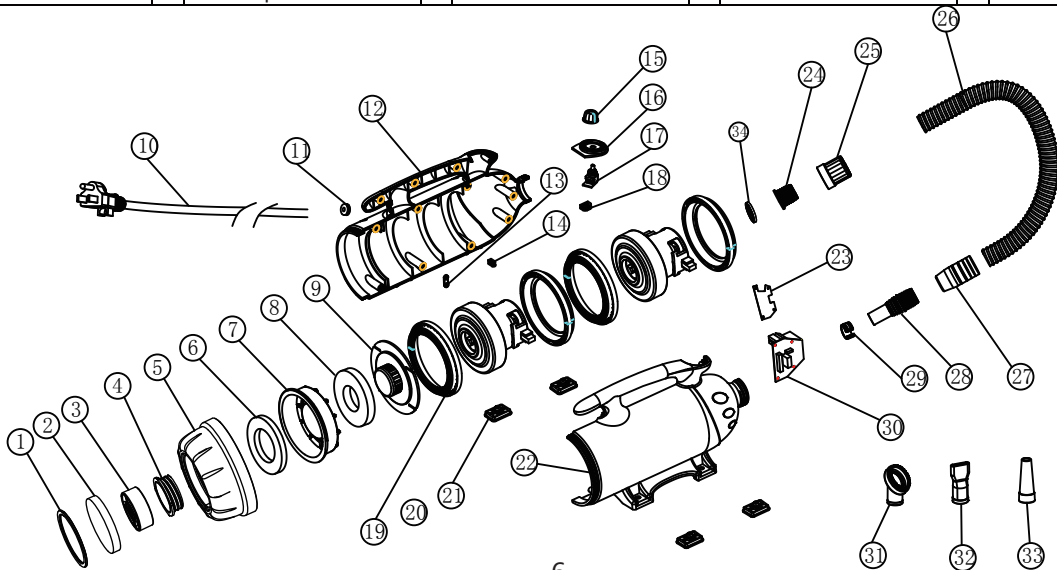
B-24 PARTS LIST

1	Left housing	9	Motor	17	Rear cover baffle
2	Right housing	10	Dustproof cover	18	Inlet filter
3	Switch	11	Motor filter	19	Hose </td
4	Rubber feet	12	Dust case	20	Round groomer rake
5	Air outlet grid	13	Dust case filter	21	Flat nozzle
6	Heater element round cover	14	Rear cover	22	Cone nozzle
7	Heater element	15	Rear cover connector		
8	Motor rubber sleeve	16	Crossed cover		



B-25 PARTS LIST

1	Rear cover baffle	9	Dustproof cover	17	PCB board assembly 1	25	Cord connector 2	33	Cone nozzle
2	Inlet filter	10	Power cord	18	Cord bushing 3	26	Hose </td <td>34</td> <td>Air outlet grid</td>	34	Air outlet grid
3	Crossed cover	11	Cord bushing 1	19	Motor rubber sleeve	27	Hose sleeve		
4	Rear cover connector	12	Left housing	20	Motor	28	Hose outlet		
5	Rear cover	13	Cord clip	21	Rubber feet	29	Adjusting ring		
6	Dust case filter	14	Cord bushing 2	22	Right housing	30	PCB board assembly 2		
7	Dust case	15	Switch knob	23	PET film	31	Round groomer rake		
8	Motor filter	16	Switch plate	24	Cord connector 1	32	Flat nozzle		



MAINTENANCE

IMPORTANT!

Always turn off the unit and disconnect from electrical outlet before maintenabce or cleaning.

Product Maintenance:

1. To keep the Pet Dryer, use a damp cloth to wipe the surface of the housing. Removable part(s) and filters may be cleaned with water and dried thoroughly before reassembling.
2. When not in use, unplug and store the Pet Dryer in a dry place indoors and keep out of reach of children.

Cleaning Dryer Dust Case, Rear Cover and Filters:

The Filter System for the XPOWER Pet Dryer (including dust case, rear cover and filters) should be kept clean regularly. If the dust case is full of hair and/or dirt or the filters become heavily coated, the air output of the Dryer will reduce and this may cause damage to the motors or cause the motors to overheat. You should never operate the dryer without filters in place.

Service and / or replace the motor brush every 500 hours of use.

The motor brushes (pair) should be replaced after every 500 hours of use. We strongly recommend you have a professional or skilled person to replace the brushes, or contact XPOWER Services Dept.

XPOWER LIMITED WARRANTY

XPOWER Manufacture, Inc. warrants this product to be free from defects in material and workmanship for a period of one (1) year from the date of original purchase. Wearable parts including but without limitation, filters, motor brushes, hoses and power cords are excluded from the warranty. The liability of XPOWER is limited solely to the cost of the repair or replacement of parts/the unit at XPOWER's discretion. This warranty does not cover normal wear of parts and does not apply to any unit that has been tampered with or used for commercial purposes. This limited warranty does not cover damage caused by misuse, abuse, negligent handling or damage due to faulty packaging or mishandling in transit. This warranty does not cover damage or defects caused by or resulting from damages from shipping or repairs, service or alterations to the product or any of its parts, which have been performed by a repair person not authorized by XPOWER.

Limitations and Exclusions

If any part or device manufactured by XPOWER Manufacture, Inc. is repaired or replaced, the new/repaired machine and/or part(s) shall be warrantied only for the remainder of the original warranty period.

SERVICE

For Warranty service and parts replacement(US user only), you must:

- A. Call 1-626-285-3301 for a RMA (Return-Merchandise-Authorization) number.
- B. Have original proof of purchase.
- C. Use the original undamaged packaging or an Industrial certified packaging method.

The end user will be responsible to ship back the unit (with RMA Number showing on the shipping label) to the XPOWER Service Department. XPOWER to inspect, assess and advise the repairs needed and the applicable cost, if any.

For users outside the US, please contact XPOWER Distributor in your country or region for Warranty service and parts replacement.

Warranty Registration (for US user only)

For your product warranty, please complete and mail / fax this form to XPOWER MANUFACTURE, INC.

Address: 220 Clary Ave., San Gabriel, CA 91776.

Tel: 626-285-3301

Fax: 626-285-3302

(For your convenience, register your product online at xpower.ws)

Your Name / Company Name _____

Contact Name _____ Title _____

Address _____ City _____ State _____ Zip _____

Phone _____ Fax _____ E-mail _____

Forced Air Dryer Model # _____ Serial # : _____

Date of Purchase ____/____/____ Purchased From _____



From: _____



TO:
XPOWER MANUFACTURE, INC.
220 Clary Avenue
San Gabriel, CA 91776, USA
Tel: 626-285-3301, Fax: 626-285-3302

